

At 8 feet (2.4 meters) in diameter, AirGo® is our biggest, most powerful, and most versatile floor fan. Not only does it move air half the length of a football field, but its fully rotatable frame and aerodynamic airfoils deliver airflow wherever you need it most.

AIR. ON THE GO. NOW!

- **Construction** — Heavy-gauge steel frame and rigid, OSHA-compliant cage protect in the toughest environments
- **Power** — 25-foot (7.6 m) cord and plug to fit into standard power outlets; 10-foot (3 m) cord available
- **Motor and Controller** — Low-noise motor with onboard variable speed control
- **Colors** — Standard yellow or white; custom colors available
- **Air Velocity** — Approximately 6,000 sq ft (557 sq m) of floor coverage with cooling areas ranging from 375 to 129 fpm¹ up to 120 ft (114.3 to 39.3 mpm¹ up to 36.6 m)
- **Accessories** — Mister accessory provides ultra-fine mist to reduce temperatures by up to 25°F (14°C); All Terrain package features oversized tires, a wider base, and four-wheel steering. See respective spec sheets for details

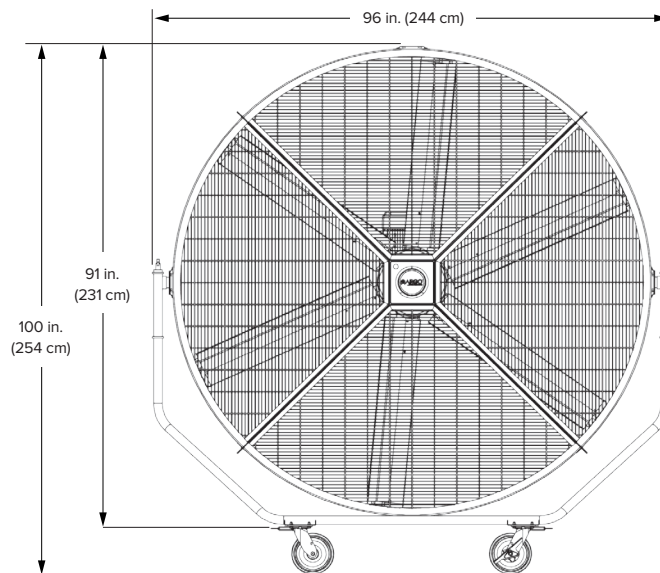
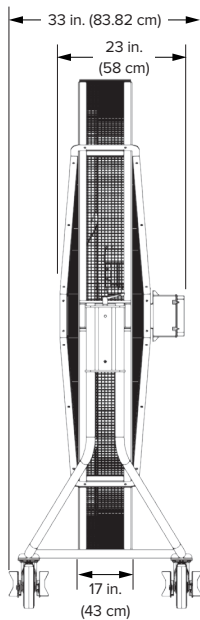


Technical Specifications

Input power and required breaker	Max amperage	Max speed	Sound level at max speed ²	Weight	Motor
100–120 VAC, 1 Φ, 15 A	3.4 A	180 RPM	65 dBA	450 lb (204 kg)	0.5 hp (0.37 kW)
200–240 VAC, 1 Φ, 10 A					

¹ Feet per minute; meters per minute

² Fans are sound tested at maximum speed in a Laboratory environment. Actual results in field conditions may vary due to sound reflecting surfaces and environmental conditions.



Lead times may vary.
See full warranty for coverage information.
Specifications subject to change without notice.



AMERICAS
BIGASSOLUTIONS.COM
877-244-3267

CANADA
BIGASSOLUTIONS.COM/CA
844-924-4277

AUSTRALIA
BIGASSOLUTIONS.COM/AU
1-300-244-277

HONG KONG
BIGASSOLUTIONS.COM/HK
+852 2836 5808

SINGAPORE
BIGASSOLUTIONS.COM/SG
+65 6709 8500

MALAYSIA
+603 5565 0888

Oversized, foam-filled tires help AirGo All Terrain move easily outdoors while four-wheel steering provides a smaller turning radius and improved turning response for effortless, one-person maneuverability.

AIR. ON THE GO. NOW!

- **Construction** — Heavy-gauge steel frame and rigid, OSHA-compliant cage protect in the toughest environments
- **Power** — 25-foot (7.6 m) cord and plug to fit into standard power outlets; 10-foot (3 m) cord available
- **Motor and Controller** — Low-noise motor with onboard variable speed control
- **Colors** — Standard white; custom colors available
- **Air Velocity** — Approximately 6,000 sq ft (557 sq m) of floor coverage with cooling areas ranging from 375 to 129 fpm¹ up to 120 ft (114.3 to 39.3 mpm¹ up to 36.6 m)
- **Accessories** — Mister accessory provides ultra-fine mist to reduce temperatures by up to 25°F (14°C)

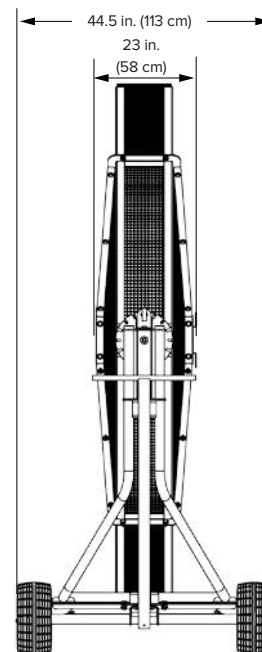
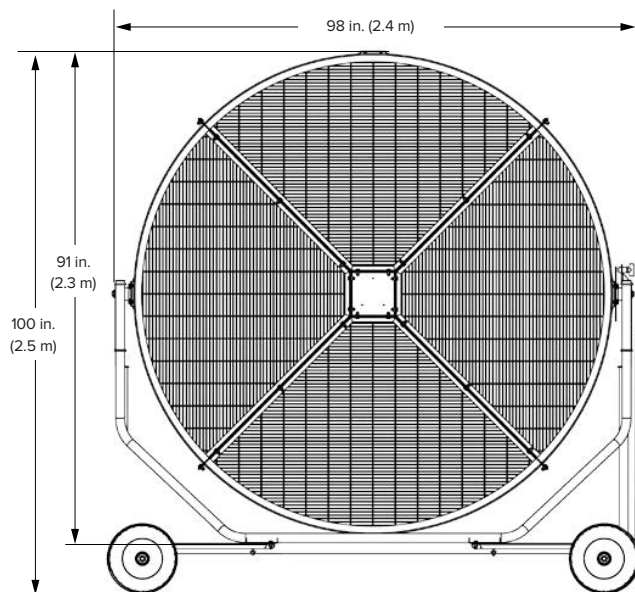


Technical Specifications

Input power and required breaker	Max speed	Max amperage	Sound level at max speed ²	Weight	Motor
100–125 VAC, 1 Φ, 15 A	180 RPM	3.4 A	67.4 dBA	600 lb (272 kg)	0.5 hp (0.37 kW)

¹Feet per minute; meters per minute

²Fans are sound tested at maximum speed in a Laboratory environment. Actual results in field conditions may vary due to sound reflecting surfaces and environmental conditions.



Lead times may vary.
See full warranty for coverage information.
Specifications subject to change without notice.



AMERICAS
BIGASSOLUTIONS.COM
877-244-3267

CANADA
BIGASSOLUTIONS.COM/CA
844-924-4277

AUSTRALIA
BIGASSOLUTIONS.COM/AU
1-300-244-277

HONG KONG
BIGASSOLUTIONS.COM/HK
+852 2836 5808

SINGAPORE
BIGASSOLUTIONS.COM/SG
+65 6709 8500

MALAYSIA
+603 5565 0888

The AirGo Misting System creates the ultimate cooling station for any occasion, from the sidelines of spring training and the ticket lines for outdoor concerts to livestock barns and industrial dock areas.

THE ULTIMATE COOLING STATION

- **Misting Rails** — Four steel rails, each with five nozzles for even mist distribution and cooling without the shower effect
- **Misting Pump** — Mounted to steel frame; minimal assembly required
- **Filter** — Water supply in-line, 5-micron filter
- **Power** — Includes 8-foot (2.4 m) outdoor-rated power cord with integrated GFCI
- **Water Source** — Accepts standard garden hose
- **Cooling Power** — Ultra-fine cloud of mist absorbs heat in the air, reducing temperatures by up to 25°F (14°C)



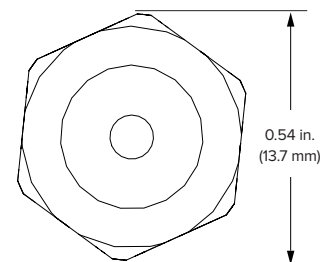
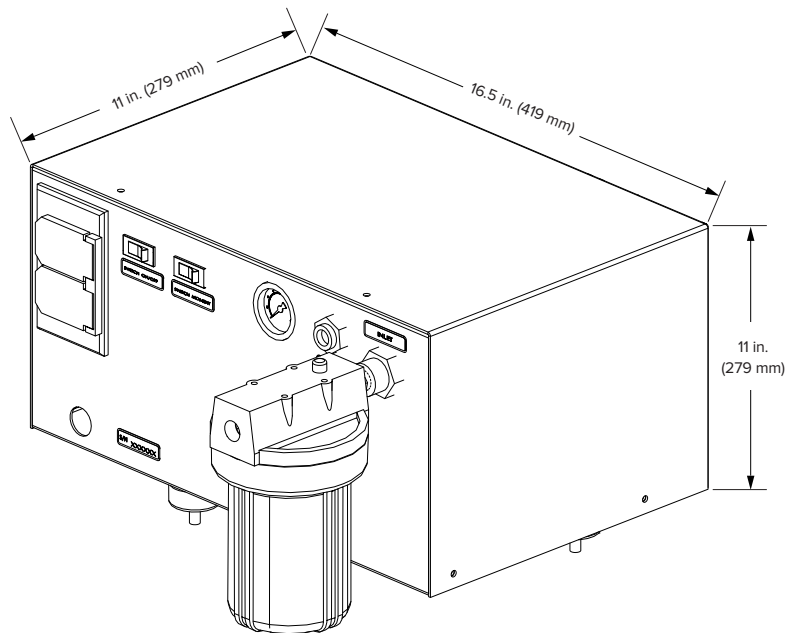
Technical Specifications¹

Input power and breaker ²	Pump motor	Maximum flow	Required inlet water supply pressure ³	Required inlet water supply temperature
100–120 VAC, 60 Hz, 5 A	0.5 hp (0.37 kW)	0.5 GPM	15–60 PSI	Below 140°F (60°C)

¹ See the AirGo cutsheet for fan specifications.

² Big Ass Fans recommends operating both the fan and misting system on a dedicated 20 A circuit. If you are operating the fan and misting system on a 15 A circuit, you may need to reduce the fan speed.

³ If your water supply pressure is higher than 60 PSI, you will need to install a pressure regulator.



Misting Nozzle
1/4" NPT

Lead times may vary.
See full warranty for coverage information.
Specifications subject to change without notice.



AMERICAS
BIGASSOLUTIONS.COM
877-244-3267

CANADA
BIGASSOLUTIONS.COM/CA
844-924-4277

AUSTRALIA
BIGASSOLUTIONS.COM/AU
1-300-244-277

HONG KONG
BIGASSOLUTIONS.COM/HK
+852 2836 5808

SINGAPORE
BIGASSOLUTIONS.COM/SG
+65 6709 8500

MALAYSIA
+603 5565 0888