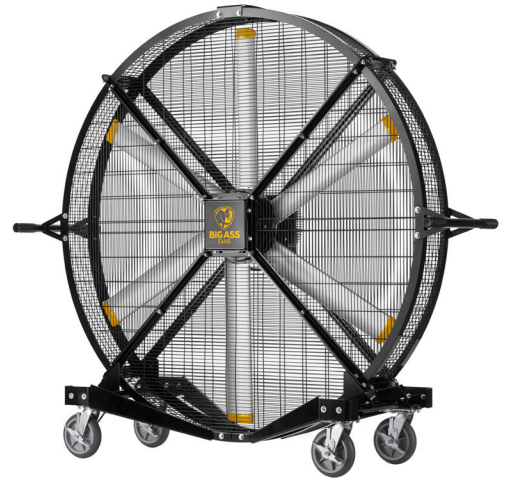


We designed Black Jack® to fit through standard interior doors and outfitted its steel frame with rubber wheels that can handle any terrain indoors or out. We gave it handles on both sides for easy maneuverability in spaces from crowded auto shops to outdoor wedding venues to fitness centers.

DESIGNED BY BIG ASS CUSTOMERS. BUILT BY BIG ASS FANS.

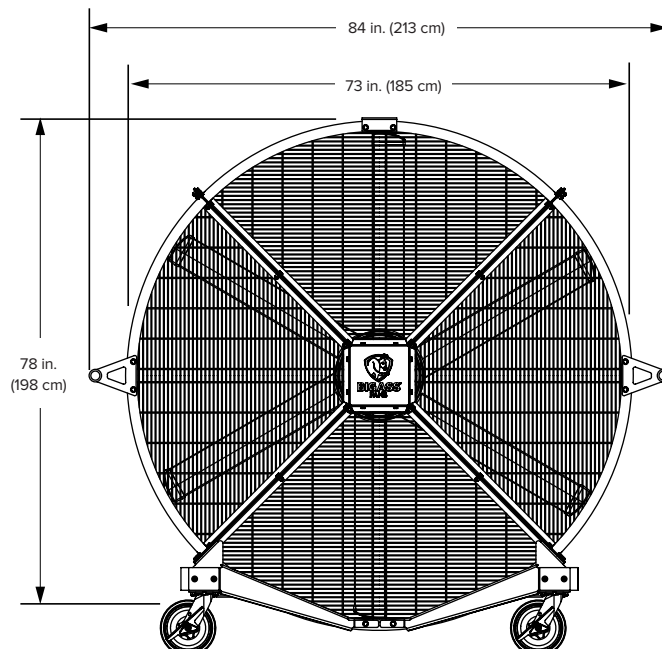
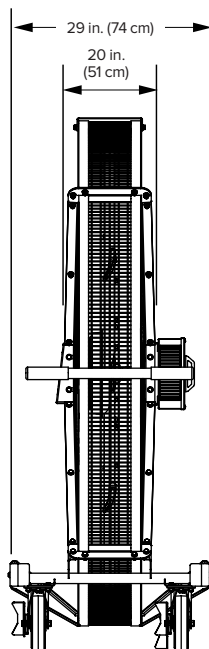
- **Construction** — Preassembled, 6.5-foot (2 m) steel frame and OSHA-compliant cage for protection in the toughest of environments; all-terrain wheels with rubber tread
- **Power Supply** — 25-foot (7.6 m) cord and plug to fit into standard power supplies; optional 10-foot (3 m) cord available
- **Motor and Controller** — Whisper-quiet, direct drive; variable speed control
- **Airflow** — Creates airflow that spans one-third the length of a football field (120 feet or 36.6 meters)
- **Environment** — Wet-rated for indoor or outdoor use
- **Maintenance** — Washdown construction to hose down for easy cleaning



Technical Specifications

Input power and required breaker	Amperage	Sound at max speed ¹	Weight	Motor
110–125 VAC, 50/60 Hz, 1 Φ, 20 A	4.7 A	63.5 dBA	310 lb (141 kg)	ECM
200–240 VAC, 50/60 Hz, 1 Φ, 20 A	7.5 A			

¹ Fans are sound tested at maximum speed in a laboratory environment. Actual results in field conditions may vary due to sound reflecting surfaces and environmental conditions.



Lead times may vary.
See full warranty for coverage information.
Specifications subject to change without notice.



AMERICAS
BIGASSOLUTIONS.COM
877-244-3267

CANADA
BIGASSOLUTIONS.COM/CA
844-924-4277

AUSTRALIA
BIGASSOLUTIONS.COM/AU
1-300-244-277

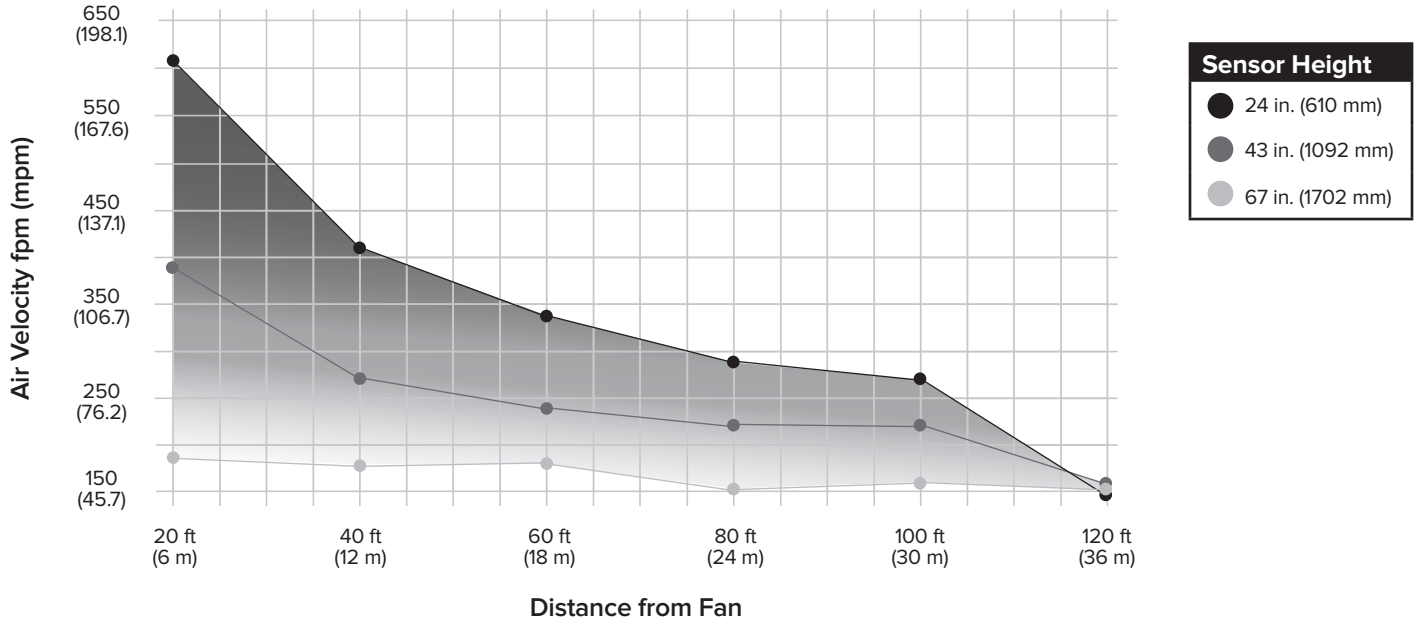
HONG KONG
BIGASSOLUTIONS.COM/HK
+852 2836 5808

SINGAPORE
BIGASSOLUTIONS.COM/SG
+65 6709 8500

MALAYSIA
+603 5565 0888

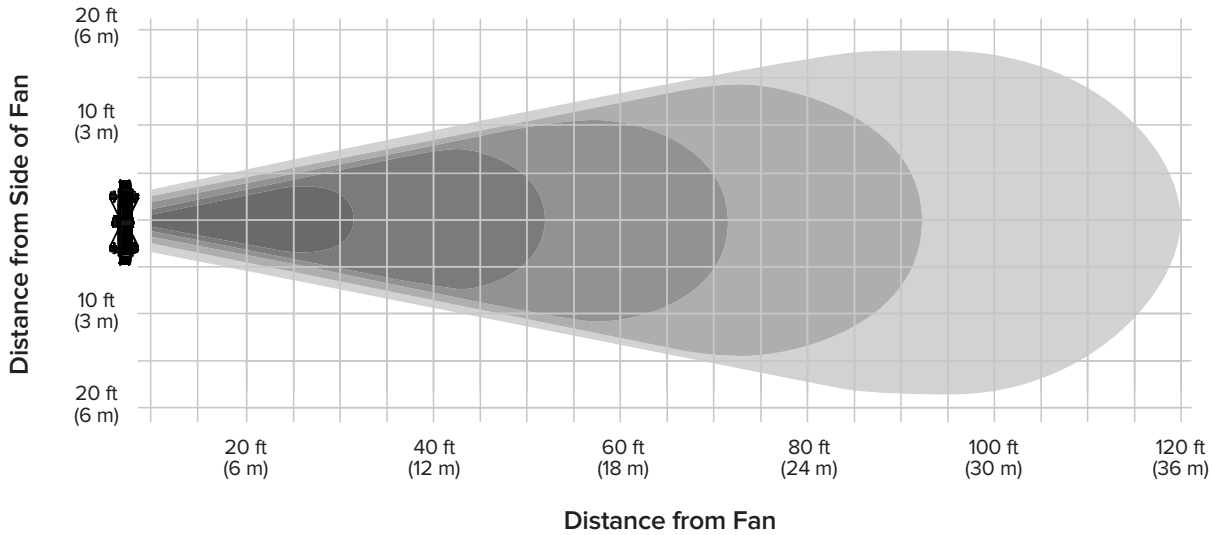
AIRFLOW VELOCITY

The three lines show air velocity from the center of the fan at three sensors of varying height.



AIRFLOW DISTANCE

Shaded areas represent cooling up to 120 feet (36.6 meters). That's one-third the length of a football field! Darker shading indicates faster air velocity.



Testing was performed in a controlled environment. Actual airflow may vary due to environmental factors.